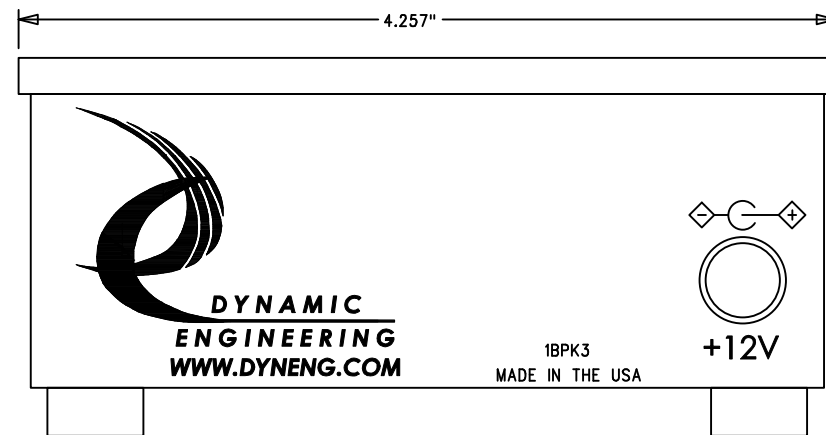
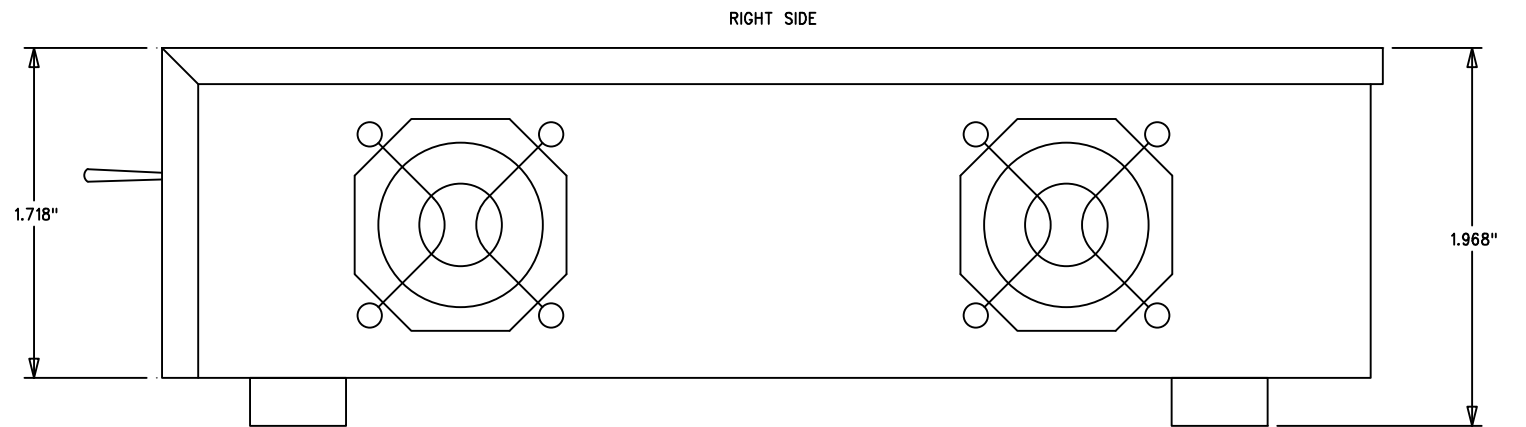
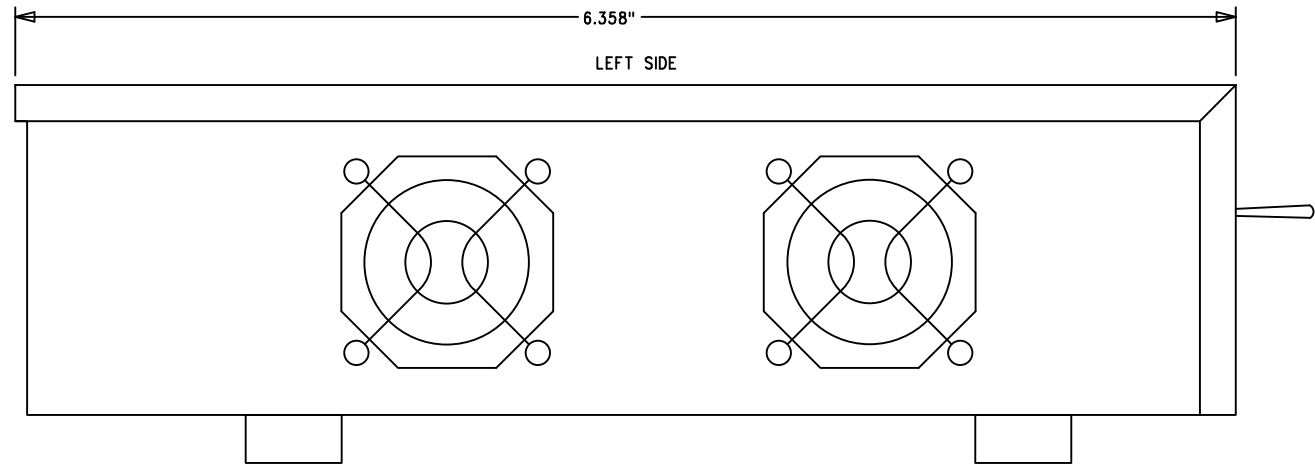
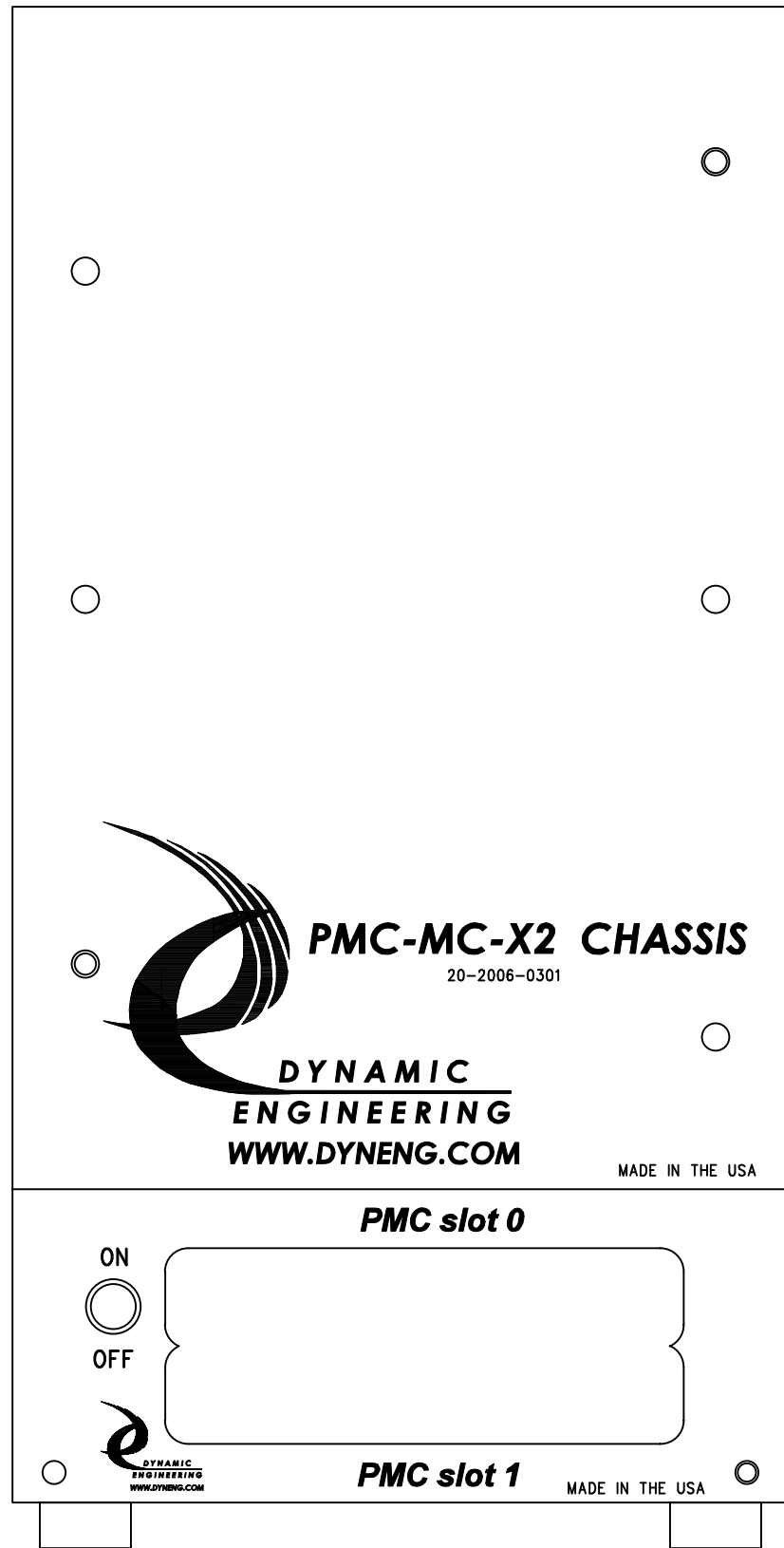
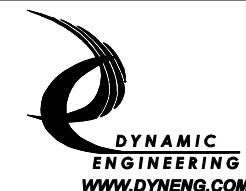


REVISIONS			
REV	DESCRIPTION	DATE	APPROVAL
A	INITIAL RELEASE	7/12/07	KL
A1	75 MILS ADDED TO WIDTH AT RIGHT SIDE, LENGTH SHORTENED 30.39 MILS AT FRONT.		KL
	SWITCH HOLE MOVED UP 10 MILS, NEW RADIUS DETAIL ADDED TO FRONT OPENING.	8/10/07	KL



MATERIAL: .0625" ALUMINUM 5005 ALLOY
PRE-FINISHED BLACK ANODIZED
WHITE SILKSCREEN

NOTICE: THIS DOCUMENT CONTAINS PROPRIETARY INFORMATION OF DYNAMIC ENGINEERING AND IS NOT TO BE COPIED OR DISTRIBUTED WITHOUT THE WRITTEN CONSENT OF AN OFFICER OF DYNAMIC ENGINEERING. THE RECEIPT OR POSSESSION OF THIS DOCUMENT DOES NOT CONVEY ANY RIGHTS TO REPRODUCE IT, DISCLOSE ITS CONTENTS, OR TO MANUFACTURE, USE, OR SELL ANY DEVICE INCORPORATING THE CONTENTS AND DETAILS DISCLOSED BY IT. SUCH CONCEPTS AND DETAILS ARE NOT TO BE USED OTHER THAN FOR THE BENEFIT OF DYNAMIC ENGINEERING.



TITLE
PMC_MC_X2 CHASSIS
PCB FAB DRAWING

DRAWN: ALAN DUNLAP DATED: 8/10/07
ENG: KEITH LEISSES DATED: 7/12/07
DRAW NO: 20-2006-0301

DYNAMIC ENGINEERING

150 DUBOIS ST. SUITE 3
SANTA CRUZ, CA 95060
Ph: (831) 457-8891
FAX: (831) 457-4793

SHEET: 1 OF 1

REV
A